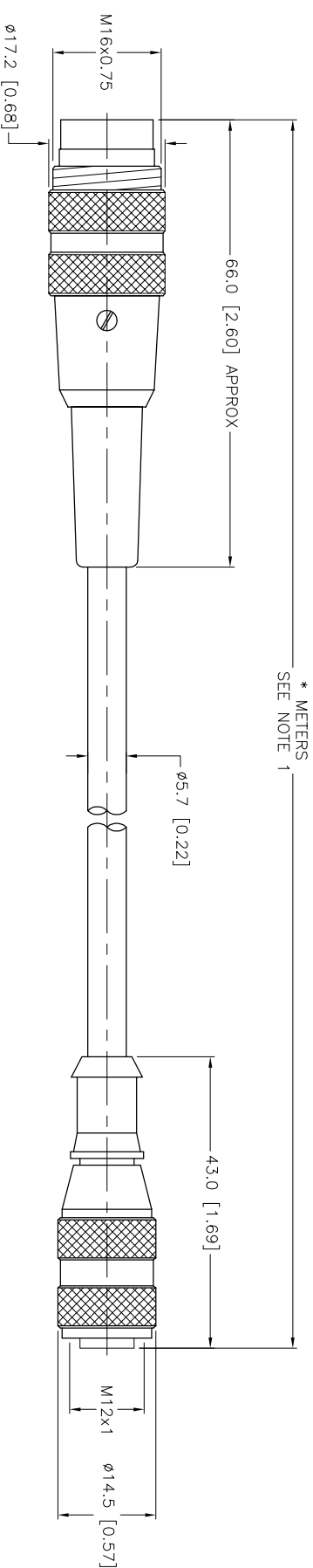


SPECIFICATIONS	
CONTACT CARRIER MATERIAL	NYLON or PUR
MOLDED HEAD MATERIAL/COLOR	THERMOPLASTIC PUR/YELLOW
CONTACT MATERIAL/PLATING	GOLD-PLATED BRASS
COUPLING NUT MATERIAL/PLATING	NICKEL-PLATED BRASS
HOUSING MATERIAL/PLATING	NICKEL-PLATED BRASS
RATED CURRENT [A]	4.0 A
RATED VOLTAGE [V]	250 V
OUTER JACKET MATERIAL/COLOR	PUR/BLACK
CONDUCTOR INSULATION MATERIAL	PVC
NUMBERS OF CONDUCTORS [AWG]	6x24 AWG
TEMPERATURE RANGE	-30°C to +80°C (-22°F to +176°F)
PROTECTION CLASS	MEETS NEMA 1, 3, 4, 6P AND IEC IP68
SPACINGS	to VDE 0110, GROUP C (EUROFAST)



CABLE LENGTH	TOLERANCE
ALL LENGTHS	+ 4% (OR 50mm) OF LENGTH - 0% (OR 0mm) OF LENGTH WHICHEVER IS GREATER
STRIP LENGTH	TOLERANCE
0-7mm	±0.5mm
8-29mm	±1.0mm
30-49mm	±2.0mm
50-69mm	±3.0mm
70-100mm	±4.0mm
OVER 100mm	±5.0mm

NOTES:

- * INDICATES CABLE LENGTH IN METERS. CONTACT TURCK TO ORDER SPECIFIC LENGTHS.
- "/CS10459" DESIGNATES 680 SERIES CONNECTOR.

A DRAWING RELEASE		JBU	05/09/03	ECO NO.
REV	DESCRIPTION	BY	DATE	
RELATED DOCUMENTS				
1. SEE SPECIFICATIONS		3RD ANGLE PROJECTION		
2. SEE SPECIFICATIONS		TOLERANCES UNLESS OTHERWISE SPECIFIED		
3. SEE SPECIFICATIONS		FINISH		
4. SEE SPECIFICATIONS		ALL INCH DIMENSIONS ARE REFERENCE ONLY		
MATERIAL		DRFT		
SEE SPECIFICATIONS		JBU		
FINISH		DATE 05/09/03		
SEE SPECIFICATIONS		SCALE 1=1.0		
UNIT OF MEASUREMENT		MILLIMETER [INCH]		
DO NOT SCALE THIS DRAWING		DESCRIPTION		
FILE: M16\777002020		BSS 6-728-* -RK 4.6T/CS10459		
SHEET 1 OF 1		IDENTIFICATION NO.		
		REV A		

SOURCE DRAWING - FOR REFERENCE ONLY

TURCK inc
High Technology Sensors and Automation Controls
 3000 CAMPUS DRIVE
 MINNEAPOLIS, MN 55441
 1-800-544-7769
 (763) 553-7300
 (763) 553-0708 fax
 turck.com