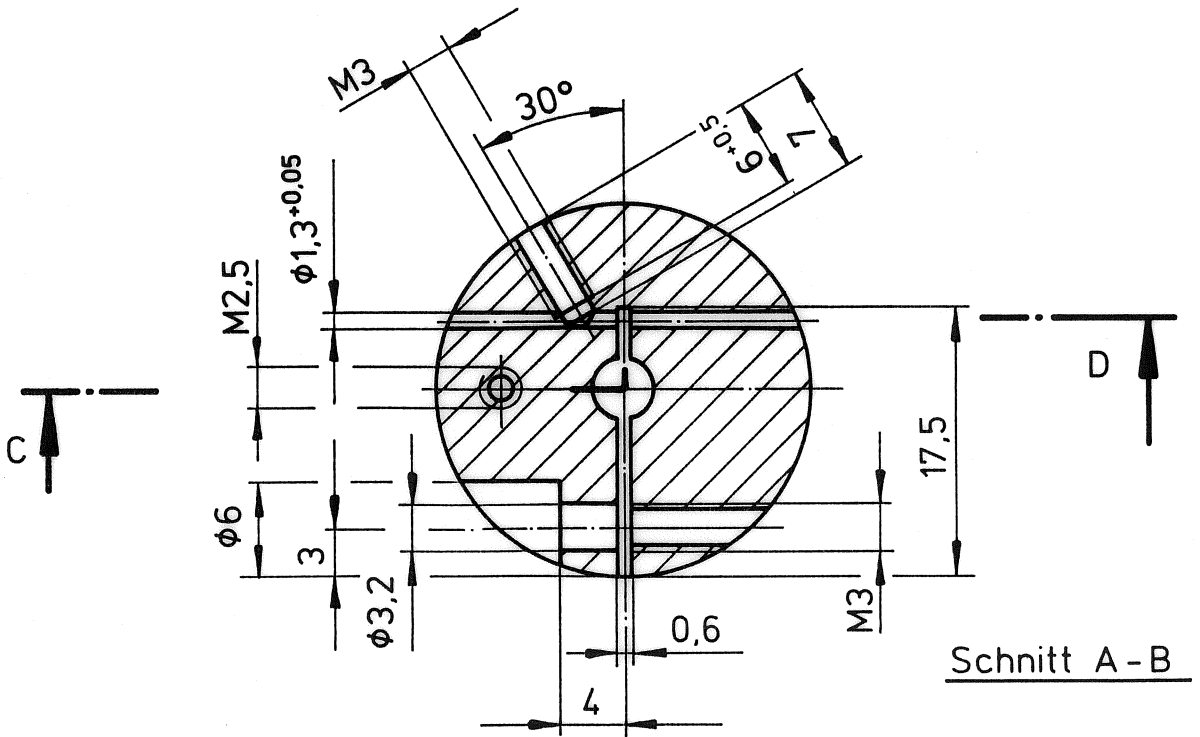
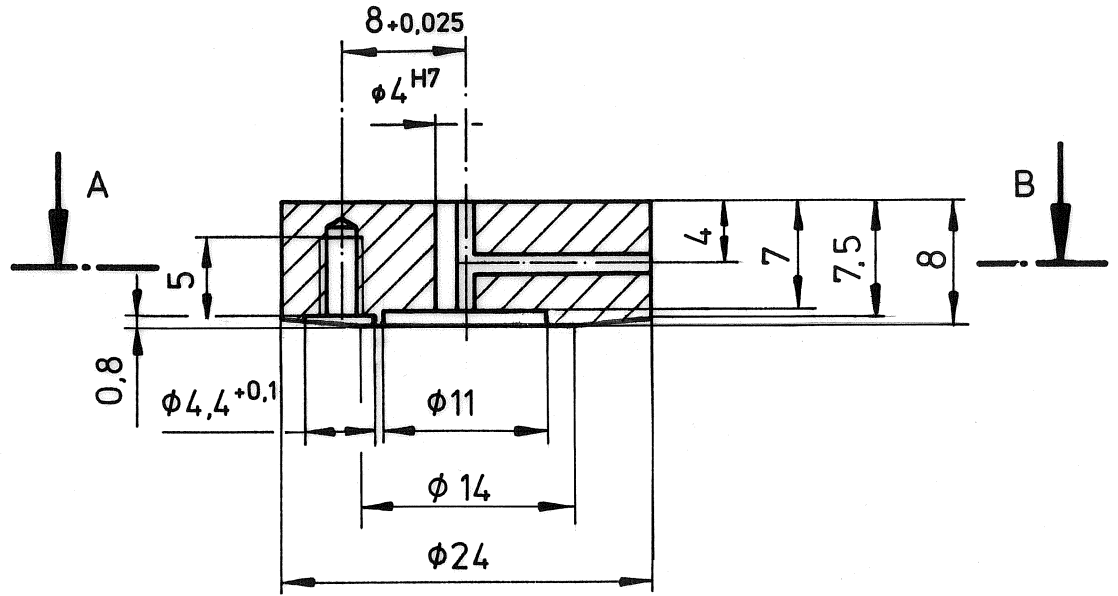


Copyright in this document, and giving it to others, and the use of any part of its contents, without the express written permission of the copyright owner, are prohibited. All rights are reserved in the event of the grant of a patent or the registration of a utility model or design.

Further copies of this document, and giving it to others, and the use of any part of its contents, without the express written permission of the copyright owner, are prohibited. All rights are reserved in the event of the grant of a patent or the registration of a utility model or design.

Alle Rechte für den Fall der Patenterteilung oder Gebrauchsmuster-Eintragung vorbehalten.

Schnitt C-D



Werkstoff: Rd 24 DIN 1798
 AlMgSiPbF 28 DIN 1725
 Freimaßtoleranz DIN 7168 - mR
 Oberfläche: natur eloxiert
 Kanten gebrochen

$\sqrt{Rz} 25$ | D2 | A2 DIN 6784

				Datum	Name	BK MIKRO 3 / 4 / 5														
				Bearb.	17.07.1990	Zeiflig														
				Geprüft			Nadelhalter f. kurzbrechende Späne													
				Gesehen			Z.-Nr.	5	0	0	2	8	5	4	0	1	6	a	Maßstab	2:1
							Art.-Nr.: 61 05 052													
Zust	Änderung	Datum	Name				Urspr.	Ers. f.	Ers. d.											Blatt
																			Blätter	