



CLEAN PARTS * CLEAN SHOP

EFFECIENCY
MACHING
CLEAN



SAFETY
AIR QUALITY
INNOVATION



PROUDLY MADE
IN THE USA



SERVING INDUSTRY FOR OVER 16 YEARS

Custom Service Solutions, Inc. (CSS) designs and manufactures the MiJET® family of products in our manufacturing and distribution facility in Brockport, NY. Our team of experts specializes in parts cleaning and air purification, along with installation of Firetrace fire suppression systems across the nation.

DEDICATION TO CUSTOMER SERVICE

Our knowledgeable Sales Team is available to answer questions, offer advice, and provide you with complete customer satisfaction.

We offer a 30-Day Money Back Guarantee if the MiJET unit does not work for your application.

NETWORK OF AUTHORIZED DISTRIBUTORS

MiJET is proud to offer these quality "Made in the USA" products through our network of authorized distributors. We are constantly investing in the latest manufacturing technologies to ensure we provide a reasonably priced, innovative product line that solves persistent shop problems. Please visit our website at www.mijet.com to see a list of our distributors.

Our goal is to help you improve the air quality and safety within your facility, and to keep your safety clock climbing.

MIJET



HOW DOES A MIJET WORK?

Powered by compressed air, MiJET is used near CNC machines or inspection stations to clean oily residue and chips from parts. Residue is blown off by using the air nozzle while simultaneously vacuumed into the container below for recycling.

A specially designed, patent pending valve allows an operator to pull the trigger on an air nozzle which simultaneously actuates both an air jet and suction.

If you are using compressed air to clean parts, simply connect the MIJET into an air line and start cleaning.

HOW WILL IT BENEFIT YOUR SHOP?

- Decrease the amount of mist in the air
- Provide respiratory protection
- Capture debris and contain it for easy clean up
- Promotes safety by decreasing the risk of slips trips and falls

Ergonomically designed backplash for ease of use

1/4" NPT fitting to power by airline



Coalescing filter allows oil to drip into container



Two tabs for easy removal



Standard MiJET Units



8" dia. Angled Top

Part Number: 14-8FL-545

Dimensions: 38.8" H x 14" dia.

Weight: 28 lbs.

8" dia. Flat Top

Part Number: 14-8FL-55

Dimensions: 34" H x 14" dia.

Weight: 28 lbs.

- The best-selling MiJET model, with an angled top opening for easy access.
- Recommended for parts that are 5 inches or smaller.
- Can be used with or without a parts basket.

Includes:

13-028 - Air Nozzle by Prevost

13-029 - Spiral air hose with swivel end fitting

Hands-Free MiJET Unit

8" dia. Hands-Free

Part Number: 14-8FL-545-HF

Dimensions: 43.25" H x 14" dia.

Weight: 30 lbs.



- Our newest standalone model, featuring a fixed nozzle for hands-free operation.
- Activated by foot pedal or hand-held nozzle.
- Recommended for parts that are 5 inches or smaller.

Includes:

13-028 - Air Nozzle by Prevost

13-029 - Spiral air hose with swivel end fitting

13-064 - Foot Pedal

Blind Hole MiJET Unit

8" dia. Blind Hole

Part Number: 14-8FL-545-BH

Dimensions: 38.8" H x 14" dia.

Weight: 32 lbs.



- Recommended for blind hole parts cleaning.
- Activated by foot pedal or hand-held nozzle.
- Not for use with a parts basket.

Includes:

13-028 - Air Nozzle by Prevost

13-029 - Spiral air hose with swivel end fitting

13-064 - Foot Pedal

Standard MiJET Units

12" dia. Angled Top

Part Number: 15-12SX-20ANG

Dimensions: 40" H x 22" dia.

Weight: 62 lbs.

- Larger model, with an angled top opening for easy access.
- Recommended for parts that are 10 inches or smaller.
- Can be used with or without a parts basket.

Includes:

13-028 - Air Nozzle by Prevost

13-029 - Spiral air hose with swivel end fitting

12" dia. Flat Top

Part Number: 15-12SX-20FT

Dimensions: 35" H x 22" dia.

Weight: 62 lbs.



Hands-Free MiJET Unit

12" dia. Hands-Free

Part Number: 15-12SX-20ANG-HF

Dimensions: 44" H x 22" dia.

Weight: 65 lbs.

- Provides full pressure and volume at the fixed nozzle.
- Recommended for parts that are 10 inches or smaller.
- Can be used with or without a parts basket.

Includes:

13-028 - Air Nozzle by Prevost

13-029 - Spiral air hose with swivel end fitting

13-064 - Foot Pedal



Blind Hole MiJET Unit

12" dia. Blind Hole

Part Number: 15-12SX-20ANG-BH

Dimensions: 40" H x 22" dia.

Weight: 64 lbs.

- Recommended for blind hold parts cleaning of larger parts.
- Activated by foot pedal, or hand-held nozzle.
- Not for use with a parts basket

Includes:

13-028 - Air Nozzle by Prevost

13-029 - Spiral air hose with swivel end fitting

13-064 - Foot Pedal





8" dia. Workstation

Part Number: 15-08-DEL

Dimensions: 35" H x 24.25" L x 24.25" Depth

Weight: 105 lbs.

- Combines an 8" dia. MiJET with a parts washing dip container in a convenient cabinet with a butcher block tabletop.
- An all-in-one solution for parts washing, drying, gauging, or inspection stations.
- Recommended for parts that are 5 inches or smaller.

Includes:

14-8FL-545: 8" dia. MiJET - Angled Top

15-08-2BB: Workstation for 8" dia. MiJET model - double cutout

15-100: Dip container, 2 gal.

15-109: Parts Basket, SS, bent handle - 7.25" OD, Fine Mesh



12" dia. Workstation

Part Number: 15-12-DEL

Dimensions: 35" H x 24.25" L x 24.25" Depth

Weight: 135 lbs.

- Combines a 12" dia. MiJET with a parts washing dip container in a convenient cabinet with a butcher block tabletop.
- An all-in-one solution for parts washing, drying, gauging, or inspection stations.
- Recommended for parts that are 10 inches or smaller.

Includes:

15-12-SX-20ANG: 12" dia. MiJET - Angled Top

15-12-2BB: Workstation for 12" dia. MiJET model - double cutout

15-101: Dip container, 3.5 gal.

15-107: Parts Basket, SS, bent handle - 10.13" OD, Fine Mesh



Workstation: Hands Free

Part Number: 15-08-DEL-HF (Table with 8" dia. MiJET)

Part Number: 15-12-DEL-HF (Table with 12" dia. MiJET)

- Combines the functionality of a MiJET and a Workstation to allow cleaning with the push of a foot pedal, available in both model sizes.
- Versatile, all-in-one solution for parts washing, drying, gauging, or inspection stations.
- Fixed nozzle provides air without using the hand-held nozzle.

Each Model Includes:

MiJET - Angled Top

Dip container

Parts Basket, SS, bent handle

Foot Pedal



8" dia. Wash Station

Part Number: 15-08-WSH

Dimensions: 35" H x 24.25" L x 24.25" Depth

Weight: 112 lbs.

- Combines the functionality of washing and drying with an 8" dia. MiJET, parts washing dip container, and fluid pump for washing parts.
- Includes a pneumatic recirculating fluid pump, fluid filter, Loc-Line nozzle, and flow control.
- Convenient for parts washing, drying, gauging, or inspection stations.
- Recommended for parts that are 5 inches or smaller.

Includes:

14-8FL-545: 8" dia. MiJET - Angled Top

15-08-2BB: Workstation for 8" dia. MiJET model - double cutout

15-100: Dip container, 2 gal.

15-109: Parts Basket, SS, bent handle - 7.25" OD, Fine Mesh



12" dia. Wash Station

Part Number: 15-12-WSH

Dimensions: 35" H x 24.25" L x 24.25" Depth

Weight: 142 lbs.

- Combines the functionality of washing and drying with a 12" dia. MiJET, parts washing dip container, and fluid pump for washing parts.
- Includes a pneumatic recirculating fluid pump, fluid filter, Loc-Line nozzle, and flow control.
- Convenient for parts washing, drying, gauging, or inspection stations.
- Recommended for parts that are 10 inches or smaller.

Includes:

15-12-SX-20ANG: 12" dia. MiJET - Angled Top

15-12-2BB: Workstation for 12" dia. MiJET model - double cutout

15-101: Dip container, 3.5 gal.

15-107: Parts Basket, SS, bent handle - 10.13" OD, Fine Mesh



Flow-Thru Brush

Part Number: 16-021

- An optional accessory for Wash Station models.
- Includes a plastic scrub brush, connected to the plumbing of the Wash Station.
- Cleaning fluid flows through the brush when button is pressed.
- Has a 3 ft hose to allow for ease of use, conveniently rests upright when not in use.
- Recommended for parts which need agitation for cleaning.

MiJET Wash Stations with Stainless Steel Dip Container

Part Number: 16-08-WSH-SS (Table with 8" dia. MiJET)

Part Number: 16-12-WSH-SS (Table with 12" dia. MiJET)

- Comes in both MiJET sizes with a rectangular SS container.
- SS lid has built-in fluid spout held open with a pneumatic spring which closes completely to minimize evaporation.

Each Model Includes:

MiJET - Angled Top

Round Parts Basket

Rectangular Dip Container with built-in spout, 5.5 gal. container for 8" dia. models and 9 gal. container for 12" dia. models



8" dia. MiJET Kit - Angled Top

Part Number: 8-ANG-34-39

- This is the most popular combination of standalone MiJET items sold.
- Recommended for parts that are 5 inches or smaller.

Includes:

14-8FL-545: 8" dia. MiJET - Angled Top

13-034: MiJET Dolly

13-039: Stainless Steel Parts basket for 8" dia. MiJET -



12" dia. MiJET Kit - Angled Top

Part Number: 12-ANG-70-110

- Everything included in this kit to get started cleaning and have mobility to place it where it's needed.
- Recommended for parts that are 10 inches or smaller.

Includes:

15-12SX-20ANG: 12" dia. MiJET - Angled Top

13-070: MiJET Drum Dolly

15-110: Stainless Steel Parts basket for 12" dia. MiJET - Angled Top

Replacement Parts



Filter for 8" dia. MiJET
Part Number: 13-006
Custom MiJET Filter 8" dia. model only



Filter for 12" dia. MiJET
Part Number: 13-041
Custom MiJET Filter 12" dia. model only



Spiral Air Hose
Part Number: 13-029
Spiral air hose with swivel end fitting



Carbon Sleeve for 8" dia. MiJET
Part Number: 15-114
An additional layer of filtration to capture odorous pollutants (slips over the standard filter)



Carbon Filter for 12" dia. MiJET
Part Number: 15-112
Used in place of the standard MiJET filter, reduces odorous pollutants



Pneumatic Foot Pedal
Part Number: 13-064
Replacement foot pedal for blind hole and hands free units



Bucket
Part Number: 13-030
Steel with rust-inhibitor interior



Drum
Part Number: 13-066
Plastic 20 gal., Black



Fluid Filter Replacement
Part Number: 15-118
Replacement filter for Wash Stations



O-ring for Fluid Filter
Part Number: 13-113
Replacement o-ring for fluid filter container



O-Ring Kit
Part Number: 13-033
Viton, 70 durometer, for 8" dia. and 12" dia. models



T-Handle
Part Number: 13-032
Nylon with Aluminum insert



MiJET Tables
Part Number: 15-08-TBL
Part Number: 15-12-TBL
Butcher block table top with 8" or 12" dia. MiJET
Provides ample workspace along with the MiJET.



Custom Heater with Mounting Bracket
Part Number: 16-101
Can be used with all Workstations or Wash Stations to heat fluid inside the Dip Container.



Bottom Ring Rubber Replacement
Part Number: 15-120
Replaces the foam between the bottom ring and the bucket to ensure a good seal.

8" dia. MiJET Accessories



8" dia. Single Handle Parts Basket
Part Number: 13-039

Fine mesh stainless steel, single handle basket

For use with: 8" dia. MiJET, Angled model: 14-8FL-545



8" Dolly
Part Number: 13-034

Has 5 wheels with 2 locking wheels to make MiJET mobile

For use with: 8" dia. MiJET models only



8" dia. Double Handle Parts Basket
Part Number: 13-036

Fine mesh stainless steel, double handle basket

For use with: 8" dia. MiJET, Flat top model 14-8FL-5S



High-Flow Quick Connect Fitting, Body
Part Number: 13-057

Quick connect allows more air volume into the unit

For use with: 8" dia. MiJET models only



8" dia. Station Parts Basket
Part Number: 15-109

Fine mesh stainless steel, bent handle basket to use inside the dip containers

For use with: 8" dia. MiJET Workstations, Wash Stations



High-Flow Quick Connect Fitting, Plug
Part Number: 13-058

Quick connect allows more air volume into the unit

For use with: 8" dia. MiJET models only



8" dia. Basket Liner
Part Number: 13-038

Non-metallic basket liner to keep soft parts from getting damaged

For use with: Insert for 8" dia. SS baskets



Dip Container, 2 gal.
Part Number: 15-100

For replacement in an 8" dia. Workstation or Wash station, with fusible link for fire damping

For use with: 8" dia. MiJET Workstation or Wash Station



8" Air Deflector
Part Number: 13-044

Insert creates an additional backplash to capture excess debris

For use with: 8" dia. MiJET models only



Air Nozzle
Part Number: 13-028

OSHA compliant air nozzle by Prevost

For use with: All models

12" dia. MiJET Accessories



12" dia. Parts Basket
Part Number: 15-110

Fine mesh stainless steel, single handle basket

For use with: 12" dia. MiJET, Angled model: 15-12SX-20ANG



12" Drum Dolly
Part Number: 13-070

Has 4 wheels with 2 locking wheels to make MiJET mobile

For use with: 12" dia. MiJET models only



12" dia. Double Handle Parts Basket
Part Number: 15-105

Fine mesh stainless steel, double handle basket

For use with: 8" dia. MiJET, Flat top model 15-12SX-20FT



High-Flow Quick Connect Fitting, Body
Part Number: 13-067

Quick connect allows more air volume into the unit

For use with: 12" dia. MiJET models only



12" dia. Station Parts Basket
Part Number: 15-107

Fine mesh stainless steel, bent handle basket

For use with: 12" dia. MiJET models only



High-Flow Quick Connect Fitting, Plug
Part Number: 13-068

Quick connect allows more air volume into the unit

For use with: 12" dia. MiJET models only



12" Basket Liner
Part Number: 15-104

Non-metallic basket liner to keep soft parts from getting damaged

For use with: 12" dia. MiJET models only



Dip Container, 3.5 gal.
Part Number 15-101

For replacement in a 12" dia. Workstation or Wash station, with fusible link for fire damping

For use with: 12" dia. MiJET Workstation or Wash Stations

For all models



Low Noise Air Nozzle
Part Number: 13-035

Low noise air nozzle creates a concentrated air stream, generates a powerful, quiet airflow and is OSHA compliant

For use with: All models



Low Noise Air Nozzle - Rubber Tip
Part Number: 13-071

Low noise air nozzle with rubber tip for sensitive applications, prevents unnecessary scratching

For use with: All models



MAKING PRODUCTS THAT MAKE A DIFFERENCE.

WHAT OUR CUSTOMERS SAY ABOUT MIJET

Our MiJET unit is amazing! It really makes a difference in keeping the coolant off of the floor. Thanks for making a great piece of equipment!

*-Mike Birdwell, Owner,
Birdwell Machine LLC,
Redmond, WA*

“The MiJET units in our facility have become a critical part of our workflow, saving lots of time compared to our previous parts cleaning process. Our air quality has also improved due to the fact we no longer blow off parts into the machining area. The size of the MiJET unit is considerably smaller than our previous unit, saving space as well. Our operators spend significantly less time on clean-up, and the facility is much safer since slippery floors are no longer a concern where MiJET units are in place.”

*-Rick Schoofs, Maintenance Technician, Pentair Water Quality
Systems, Milwaukee, WI*



HIGH PERFORMANCE WATER WORKS™

BIODEGRADABLE
NON-COMBUSTIBLE
NON-FLAMMABLE
NON-TOXIC
NON-CORROSIVE

- High Performance Heavy Duty Degreaser
- Recommended for use in MiJET Wash Stations
- Has a built-in rust inhibitor, for ferrous metals
- Replaces hazardous chemicals
- Will not cause coolant fouling
- Safe to use in and around CNC machines
- Meets the Green Seal Standard for Cleaning and Degreasing Agents, GS-34

HEAVY DUTY DEGREASER CONCENTRATE

This Heavy Duty Degreaser offers a non-hazardous alternative for a range of industries including industrial maintenance, machining, automotive manufacturing and automation applications. Try this safer alternative to the harsh cleaning chemicals used in industry today, such as mineral spirits, butyl-based products, and alkaline detergents.

Multiple size containers, including large plastic totes, available upon request.



BRING US YOUR SPECIAL APPLICATIONS FOR A CUSTOMIZED SOLUTION

CUSTOM PROJECTS

We know there are certain applications that require just the right cleaning technique to ensure consistent results. We have modified almost every product in the MiJET family for various needs around the country. Our engineers work hard to facilitate custom cleaning applications and we are happy to consider your projects.

CONSIDERING A CUSTOM MIJET?

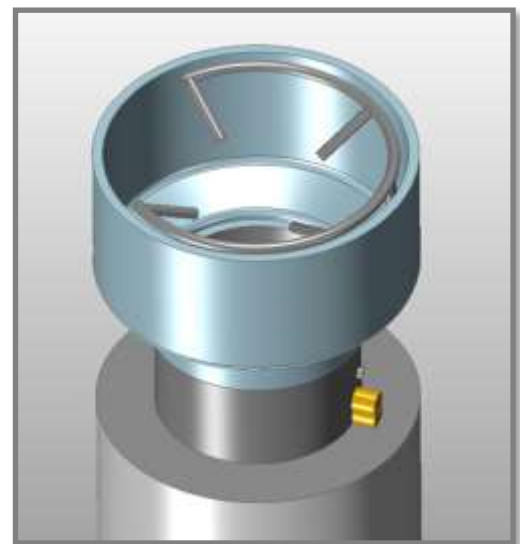
If considering custom work, we'll need to know some information:

- What size part or parts will be cleaned?
- Is it a wet or dry application?
- What kind of residue needs to be removed?
- What kind of material handling is currently in place?

Please give us a call to discuss the possibilities!

EXAMPLES OF COMPLETED CUSTOM WORK

- MiJET with a larger opening (left)
- MiJET which allows cylindrical rods to pass through for cleaning (middle)
- Custom Workstation with large Dip Container (right)





INDUSTRIES SERVED

- Automotive
- Firearms
- Small Parts Manufacturing

AUTOMATION

Easily integrated into a new or existing cell for automated applications, the MiJET is activated with a solenoid. A robot places a part inside the MiJET for cleaning and prepares the part quickly for gauging.

The MiJET can help keep the automated cell cleaner, and get your product ready for gauging or shipping!

DO YOU HAVE AN AUTOMATED CELL?

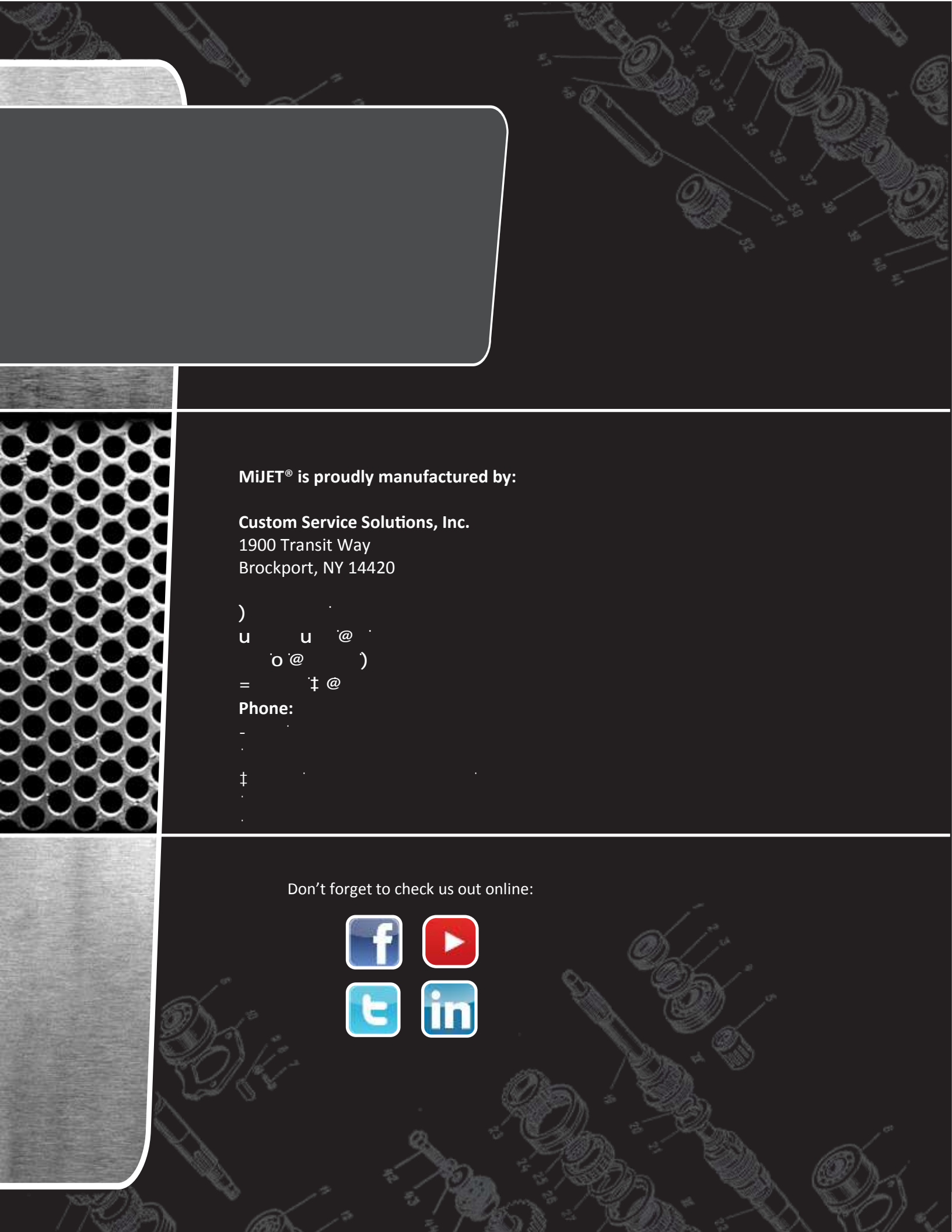
If considering MiJET integration, it would be helpful for us to have the following information:

- What size part or parts will you be cleaning?
- What size is your robot gripper, and can it spin or rotate the part?
- It is a wet or dry application?
- What kind of residue needs to be removed?

This model will accept a part that is 8 inches in length

Includes 24V solenoid

Please give us a call to discuss the possibilities!



MiJET® is proudly manufactured by:

Custom Service Solutions, Inc.

1900 Transit Way
Brockport, NY 14420

)
u u @
o @)
= † @

Phone:

-
.
†

Don't forget to check us out online:

